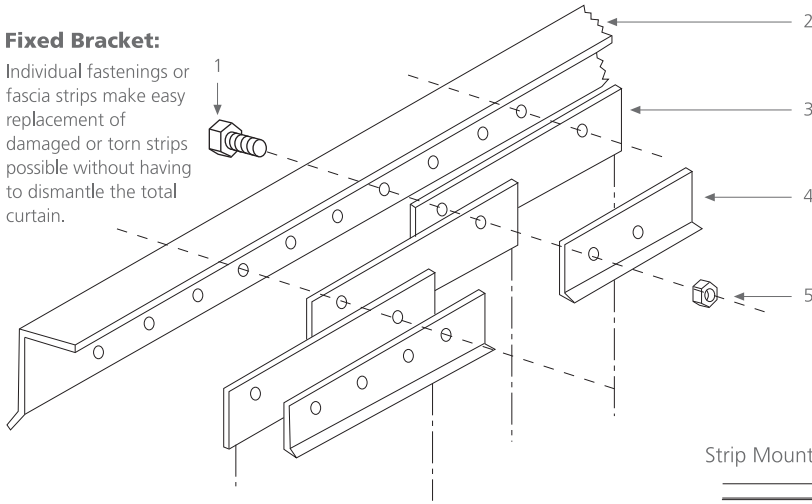


data sheet
Stripcurtains
Protection Screens | PVC Sheeting

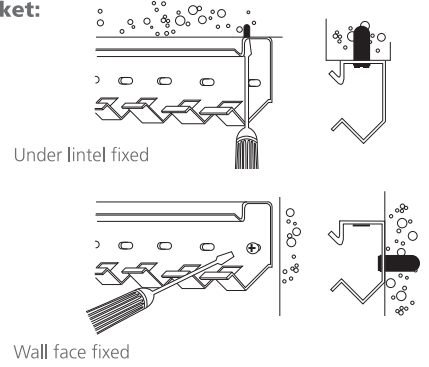
- ~ Energy saving
- ~ Eliminates draughts
- ~ Insect, bird, rodent and dust barrier
- ~ Noise reduction

Fixed Bracket:

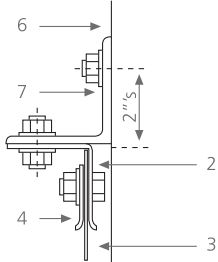
Individual fastenings or fascia strips make easy replacement of damaged or torn strips possible without having to dismantle the total curtain.



Swivel Bracket:

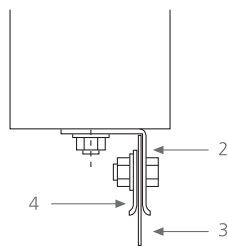


Wall Mounting Method



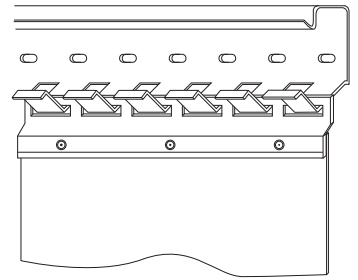
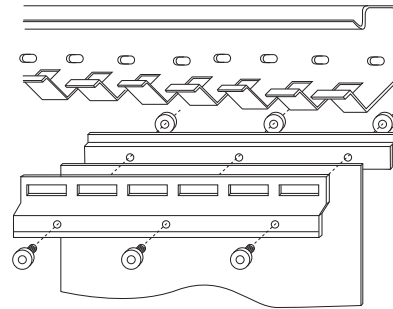
1. Bolt
2. Backing strip
3. PVC strip curtain
4. Fascia strip

Lintel Mounting Method

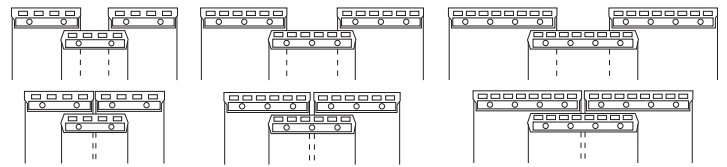


5. Nut
6. Face of wall
7. Angle clip

Strip Mounting



Overlap Configuration



Maxiflex: Strip Curtains

The economical solution for enclosing all internal and external apertures. Transparent strips formulated from a PVC compound, designed to combine high clarity with mechanical strength due to an outstanding degree of flexibility. The clear strips will not interfere with natural light and will allow unlimited access to vehicles and pedestrians under conditions from +60° to -45°.

Available in various widths and thicknesses (200 x 2mm, 300 x 3mm and 400 x 4mm). The strips are mounted to specially designed mounting brackets.

- ~ Eliminates draughts
- ~ Energy conservation
- ~ Reduction in heat/cold loss
- ~ Containment of dust
- ~ Noise reduction
- ~ Improved working environment
- ~ Insect/bird/rodent barrier
- ~ Protection from sparks and splashes

Applications:

Cold/freezer room doors, storage area enclosures, personnel doors, factory entrances, conveyor openings, factory partitionings, spray booths, overhead crane-way openings, ventilation brattices

Maxiflex: Protection Screens

Protects personnel from sparks, splashes and welding flash. Formulated from a blue/bronze PVC that removes 99.9% UV in welding applications to ensure optical safety to people not directly involved in the operation. Excellent two-way vision through the near transparent strips allows for maximum visibility needed for safety and supervisory reasons.

Advantages:

- ~ Removes 99.9% UV in welding applications
- ~ Available as a fully assembled or kit-form 2m wide x 2m high screen with or without wheels and bronze/blue strips or yellow sheets

Applications:

Welding safety screen, noise reduction screen, grinding screen, wind barrier

Maxiflex: PVC Sheeting

W x T (mm)	W x T (mm)
1000 x 7	1500 x 3
1200 x 2	1500 x 5
1200 x 3	1500 x 7
1200 x 5	2000 x 3
1200 x 7	2000 x 5
1500 x 1	

LENGTH: Standard 20m or cut to size
COLOUR: Clear

Maxiflex Johannesburg

Tel: 011 392 1709
Fax: 011 392 6919

Maxiflex Cape Town

Tel: 011 392 1709
Fax: 011 392 6919

Maxiflex Durban

Tel: 031 705 4044
Fax: 031 705 4333

Maxiflex Port Elizabeth

Tel: 041 585 0690
Fax: 086 688 8160